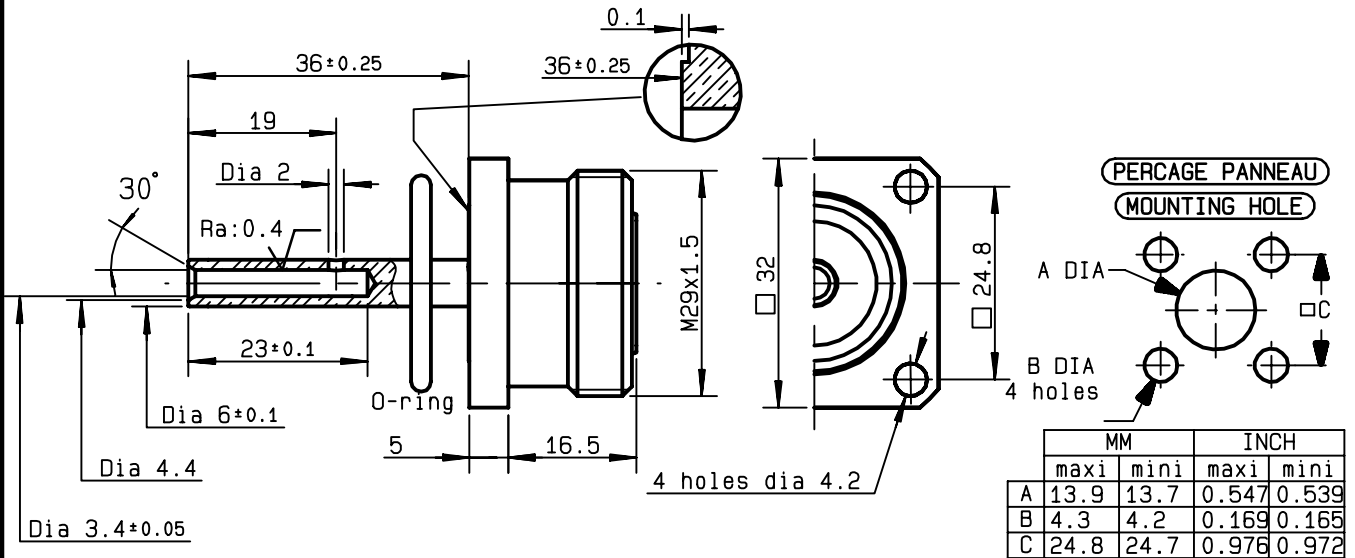


**STRAIGHT FLANGE JACK RECEPTACLE  
PANEL SEAL - WITH SOLDER POT CONTACT**

**R185.403.430**  
SERIES **7-16**



NOMINAL IMPEDANCE	<b>50</b> Ω	CABLES :	
FREQUENCY RANGE	<b>0-7.5</b> GHz		
TEMPERATURE RATING	<b>-55/+155</b> °C		
V.S.W.R	<b>1.15</b> + x F(GHz)Maxi		
RF INSERTION LOSS	<b>0.03</b> √F(GHz) dB Maxi		
VOLTAGE RATING	<b>1400</b> Veff Maxi		
DIELECTRIC WITHSTANDING VOLTAGE	<b>4000</b> Veff Mini		
INSULATION RESISTANCE	<b>10000</b> MΩMini	OTHERS CHARACTERISTICS	
HERMETIC SEAL	<b>NA</b> Atm.cm <sup>3</sup> /s	CABLE RETENTION	<b>NA</b> N Mini
LEAKAGE (pressurized only)	<b>IP67</b>	CENTER CONTACT RETENTION	
MECHANICAL DURABILITY	<b>500</b> Cycles	Axial force - mating end	<b>200</b> N Mini
WEIGHT	<b>77.73</b> gr	Axial force - opposite end	<b>200</b> N Mini
SPECIFICATION	<b>IXC82123</b>	Torque	<b>2</b> cm.N Mini
		RECOMMENDED TORQUES	
		Mating	<b>NA</b> cm.N
		Panel nut	<b>NA</b> cm.N
		Clamp nut	<b>NA</b> cm.N

CONNECTOR PARTS	MATERIALS	FINISH	(all values are given in micrometers)
BODY	BRASS	SILVER 5 PASSIVATED OVER COPPER	0.5
OUTER CONTACT	BRASS	SILVER 5 PASSIVATED OVER COPPER	0.5
CENTER CONTACT	BERYLLIUM COPPER	SILVER 5 PASSIVATED OVER COPPER	0.5
INSULATOR	PTFE	-	
GASKET	SILICONE RUBBER	-	
OTHERS PIECES	BRASS	SILVER 10 OVER COPPER	8

ISSUE	CREATION DATE	FILE PART-NUMBER	
<b>9944C00</b>	<b>25/02/1997</b>	<b>97-0132-079</b>	

ANNEQUIN

The information given here is subject to change without notice.  
Design changes may be in order to improve the product.

Connect to the future